



iBolt UniPaaS and edi2xml

Presenter: Pierre Namroud

Title: CEO / Software Eng.

Company: Namtek Consulting services

- **Terminologies**
- **What is edi2xml**
- **Integration with iBolt/UniPaaS**
- **Integration with third party apps**

- **What is EDI ?**

- ✓ Electronic Data Interchange
- ✓ is the process of “securely” exchanging business information electronically between business partners
- ✓ EDI is considered to be a technical representation of a business conversation between two entities (or trading partners)
- ✓ EDI structure follows compliance and standards. Different revisions exists even within each different version.

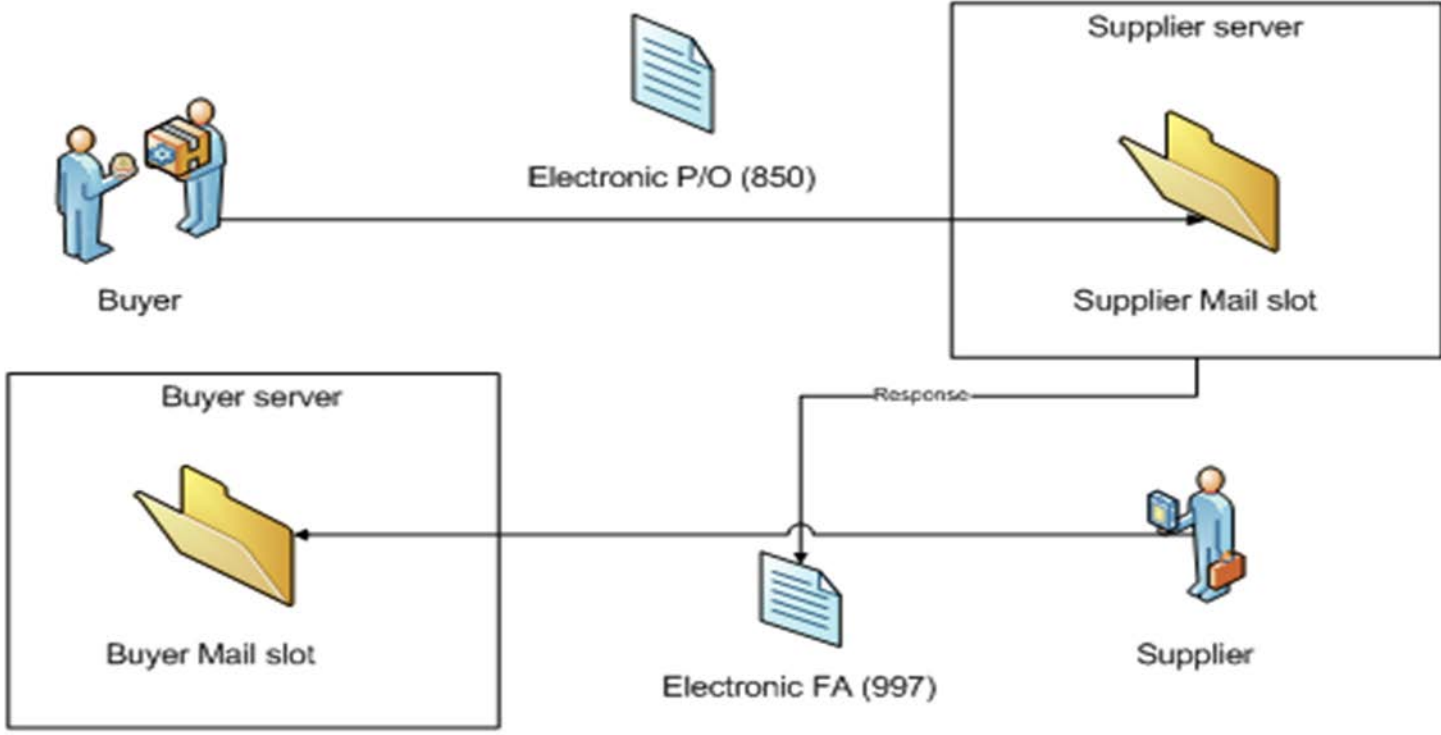
- **EDI standards**

- ✓ The UN-recommended UN/EDIFACT is an international standard, it is predominant outside of North America.
- ✓ The US standard ANSI ASC X12 (X12) is predominant in North America.
- ✓ The TRADACOMS standard predominant in the UK retail industry.
- ✓ The ODETTE standard used within the European automotive industry

● Protocols of communication

- ✓ Communication using “bisync modem” to a value added network (VAN), is the oldest method of secured EDI communication.
- ✓ Internet protocols such as the following, are the most commonly used methods of edi documents exchange in today’s internet world. :
 - ✓ FTP
 - ✓ sFTP
 - ✓ Https
 - ✓ AS2
 - ✓ AS3
 - ✓ Telnet and others
- ✓ Value Added Networks are considered as a post office, where edi documents coming through are sorted out.
- ✓ Considerable amount of EDI transactions are still going through VANs
- ✓ Most of the major players have switched to a point-to-point communication using one or many of the above secured internet transmissions.

Visual EDI diagram based on point-to-point communication between Business partners



Visual EDI diagram based on point-to-point communication between Business partners

- **Interpreting EDI transmissions**

- ✓ edi documents are not structured like XML
- ✓ Edi documents are complex : Same documents, within the same version might be different if they are part of different revisions
- ✓ Partners might decide to use a customized version of the standard.
- ✓ As it is, edi documents cannot be integrated into any third party systems (i.e. erp, crm...)

- **Advantages of using EDI**

- ✓ Reduce human interaction
- ✓ Reduce data cycle time
- ✓ Quick data integration and faster response to business needs

- **What is edi2xml?**

- ✓ Is a library of executable files developed to convert ASCII X12 EDI files to XML.
- ✓ Developed using C# and the .NET framework technologies from Microsoft.
- ✓ Integrates with iBolt and UniPaaS from Magic software.
- ✓ Developed by Namtek Consulting services in Canada.
- ✓ For more information visit <http://edi2xml.com>

- **How it works ?**

- ✓ For incoming documents, providing an EDI file as input (or source), edi2xml is able to split and generate multiple XML's documents by partner, and by ISA #
- ✓ For outgoing documents, providing multiple outgoing XML files as source, xml2edi is able to convert each one of those xml files into its appropriate EDI version as one destination file.

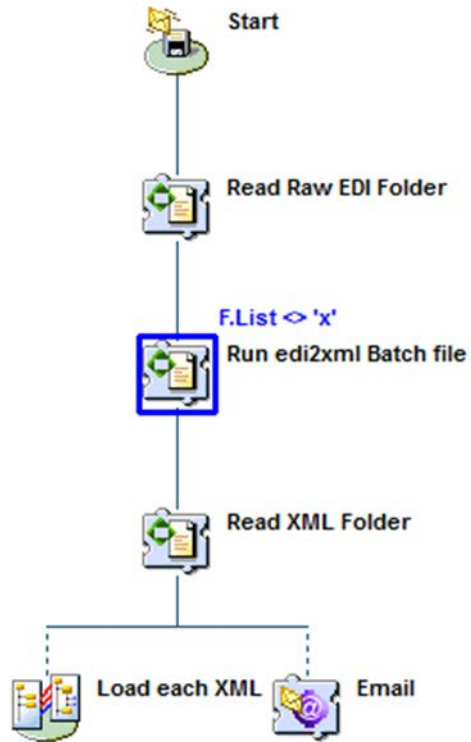
- **edi2xml technical features**

- ✓ Out of the box, it is able to process X12 edi files , and convert to XML
- ✓ edi2xml detects the version of the edi files and is able to process regardless of its version.
- ✓ edi2xml can function in a reverse mode: converting an XML file and turn it into an edi format
- ✓ Files are validated before conversion
- ✓ Log files are written to track potential errors.
- ✓ During the conversion process, backups are made of the EDI & XML files to maintain a level of integrity.
- ✓ By default, it works and supports multiple partners under multiple companies. Flexible enough to pick up files from one location and put the converted files in another location for further processing
- ✓ Logs are written and updated when an XML or EDI file is processed
- ✓ edi2xml engine works by sending command line with arguments, or within iBolt and UniPaaS.

- Available edi documents
 - ✓ edi2xml is able to convert -out of the box- the most commonly exchanged edi documents such as:
 - ✓ 850 - Purchase order
 - ✓ 860 – Buyer triggered P/O Change
 - ✓ 810 – Invoice
 - ✓ 856 – Advance shipping notice
 - ✓ and much more...
 - ✓ More documents can be added upon request

- Platforms supported
 - ✓ At this moment, edi2xml library runs on Windows platform on top of Microsoft .NET framework.
 - ✓ A Java version of the edi2xml library has been tested and proven to work in our lab; This allows more flexibility among Linux, Unix and Windows platforms.

- Integration with UniPaaS and iBolt
 - ✓ UniPaaS and iBolt are products proprietary of Magic software enterprises. For more information about both products, please visit <http://magicsoftware.com>
 - ✓ edi2xml converter can be triggered and leveraged from within iBolt projects through direct command line.
 - ✓ Result XML data can be then integrated within any iBolt flow. Thanks to the power of codeless iBolt Datamapper, that permits to easily take the result and map into any database table(s).
 - ✓ edi2xml converter can also be executed from UniPaaS programs
 - ✓ UniPaaS programs can benefit from its XML capability to process and populate the data anyway the user needs.



Direct Access Method: File Management

Method

#	Name	Condition
1	Command Line	

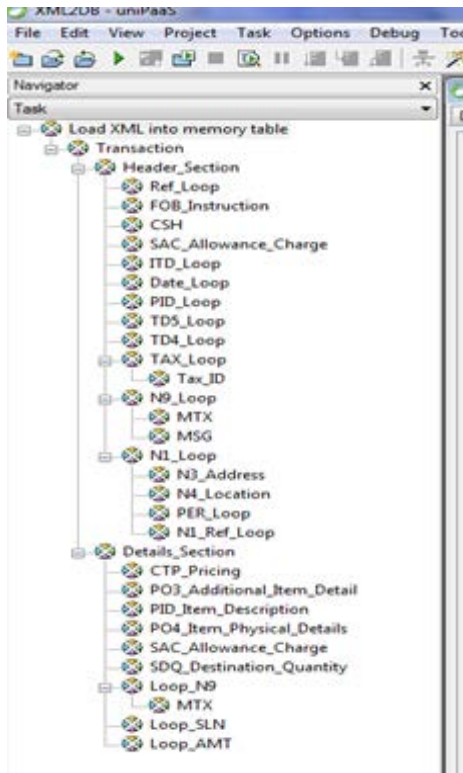
Method Details

Runs executable files or commands.

Parameter Name	Type	Picture	In/Out	Value
Execute File Name	Alpha	260	In	'C:\EDI\processIncoming_network1.bat'
Command Line Parameters	Alpha	1000	In	
Timeout	Numeric	12	In	
Log File Location	Alpha	260	In	
Error Code	Numeric	12	Out	

Close

- Visual representation of a UniPaaS program to read XML



```

<?xml version="1.0" encoding="UTF-8" ?>
<!-- edited with XMLSpy v2007 sp2 (http://www.altova.com) by Doris Badaan (Namtek Consulting S
- <xs:schema xmlns:xs="http://www.w3.org/2001/XMLSchema" elementFormDefault="qualified" attributeForm
- <xs:element name="EDI_850">
  - <xs:annotation>
    <xs:documentation>root</xs:documentation>
  </xs:annotation>
  - <xs:complexType>
    - <xs:sequence>
      <xs:element ref="Transaction" maxOccurs="unbounded" />
    </xs:sequence>
  </xs:complexType>
</xs:element>
- <xs:element name="Transaction">
  - <xs:complexType>
    - <xs:sequence>
      <xs:element ref="Header_Section" />
      <xs:element ref="Details_Section" maxOccurs="unbounded" />
    </xs:sequence>
  </xs:complexType>
</xs:element>
- <xs:element name="Header_Section">
  - <xs:complexType>
    - <xs:sequence>
      - <xs:element name="Interchange_Control_No">
        - <xs:simpleType>
          - <xs:restriction base="xs:string">
            <xs:minLength value="1" />
            <xs:maxLength value="20" />
          </xs:restriction>
        </xs:simpleType>
      </xs:element>
    </xs:sequence>
  </xs:complexType>
</xs:element name="Usage_Indicator">

```

■ Verticals

- ✓ Our customers where turnover is ranging from 5 to 50 millions of revenue
- ✓ Different verticals, mainly in retail, distribution and manufacturing
- ✓ Bundled with our erp suite based on iBolt/UniPaaS

■ erpwizard

- ✓ erpwizard is a fully integrated erp solution
- ✓ It is available “on premises” and “in the cloud” under the SAAS model
- ✓ erpwizard is based on UniPaaS from Magic software, and built by our developers at Namtek. For more information about erpwizard, please visit <http://erpwizard.net>
- ✓ erpwizard works in sync with edi2xml and iBolt to offer edi capability
- ✓ In both editions, erpwizard allows full control of the results, configuration and setup of:
 - ✓ edi partners
 - ✓ Partner transactions
 - ✓ Stores translation
 - ✓ Products translations





edi2xml setup in erpwizard



EDI Partner Setup...

Partner Information...

Default ISA ID: 202377222

Description: Zellers Canada

DUNs Number: DUNS123

Head Office: Z000000 ... HBC Shared Services Finance A/P

Active: Auto Delete Duplicate POs:

EDI Transactions | Stores Translation | Payment Terms Translation | UOM Translation

Transaction Set	Standard	Version
850	X	4050
860	X	4050
852	X	4050
856	X	4060VICS

ISA/GS Details | Transaction Set Details | Memo

Document Direction: Outgoing

ISA Qualifier: 12

ISA ID: 4506813009

GS ID: 4506813009

Sender: 12

Receiver: 08

202377222ASN

202377222ASN

Level	Code	Description	Active	Mandatory
Header	ST	Transaction Set Header	<input checked="" type="checkbox"/>	<input checked="" type="checkbox"/>
Header	BSN	Beginning ASN segment	<input checked="" type="checkbox"/>	<input checked="" type="checkbox"/>
Shipment	HL	Hierarchical Level	<input checked="" type="checkbox"/>	<input checked="" type="checkbox"/>
Shipment	TD1	Carrier Details (Quantity and Weight)	<input type="checkbox"/>	<input type="checkbox"/>
Shipment	TD5	Carrier Details (Routing)	<input type="checkbox"/>	<input type="checkbox"/>
Shipment	TD3	Carrier Details (Equipment)	<input checked="" type="checkbox"/>	<input type="checkbox"/>

Code	Description	Type	Attribute	Format	Value	Qualifier	Active	Mandatory
BSN01	Purpose Code	Constant	Alpha	2	00		<input checked="" type="checkbox"/>	<input checked="" type="checkbox"/>
BSN07							<input type="checkbox"/>	<input type="checkbox"/>
BSN06							<input type="checkbox"/>	<input type="checkbox"/>
BSN05	Hierarchical Code	Constant	Alpha	4	0001		<input checked="" type="checkbox"/>	<input checked="" type="checkbox"/>
BSN04	Shipment Time	Data	Time	HHMM		Shipment Time	<input checked="" type="checkbox"/>	<input checked="" type="checkbox"/>
BSN03	Shipment Date	Data	Date	YYYYMMDI		Shipment Date	<input checked="" type="checkbox"/>	<input checked="" type="checkbox"/>

Save Exit



THANK YOU